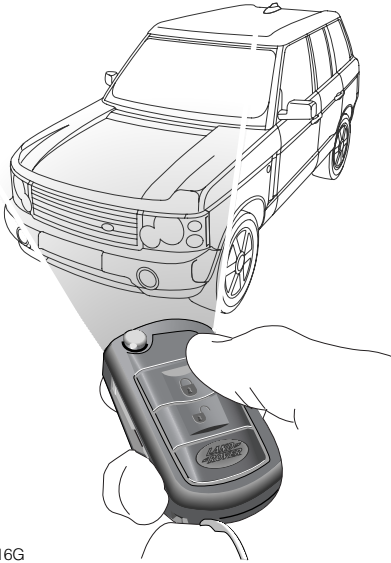


# Quick Start

## USING THE REMOTE CONTROL



H6716G



H6717G

Your remote control has four buttons that allow you to lock/unlock the vehicle and set the security features.

**1. Key release button**

Press to release the folded key.

**2. Lock button**

Press once to superlock and activate the perimeter alarm, interior space alarm and tilt sensor. Press twice to superlock all doors, activate perimeter alarm but not activate interior space protection and tilt sensor.

**3. Unlock button**

Press once to disarm the alarm, unlock the drivers door and activate seat/mirror memory.

**4. Tailgate button**

Press to unlock tailgate and de-activate the interior space protection only. Press and hold to activate the panic alarm.

For more information, see **ALARM SYSTEM, 27.**

## REMOTE CONTROL RANGE/BATTERY

The remote control does not have to be pointing at the vehicle but does need to be within range. Interference from physical and geographical factors may sometimes limit this range. Low battery power can also effect the range - **KEY BATTERY LOW** will be displayed in the main message centre.

For more information, see **Remote control battery, 27.**

# Quick Start

## SINGLE POINT ENTRY

This is a personal security feature, which enables the drivers door to be unlocked whilst leaving the others doors in a locked state.

Press the unlock button once to unlock just the drivers door.

Press the unlock button a second time to unlock the remaining doors.

For more information, see **Single point entry, 31**.



Single point entry can be disabled by a Land Rover dealer.

## LAZY LOCK/UNLOCK

Lazy lock/unlock enables you to use the remote control to open or close the windows and sunroof at the same time as locking/unlocking the vehicle. This is achieved by pressing and holding down the lock/unlock button on the remote control.

For further information on how to operate this feature, see **Lazy locking/unlocking, 33**.



Lazy lock/unlock can be disabled by a Land Rover dealer.

## CONFIRMATION OF SECURITY

To confirm that your vehicle is secure and locks when the lock button is pressed the side repeaters will flash, the sill buttons will depress and the indicator light on the rear view mirror will flash.

For more information on the security indicator, see **Anti-theft alarm indicator, 30**.

## SPEED RELATED LOCKING

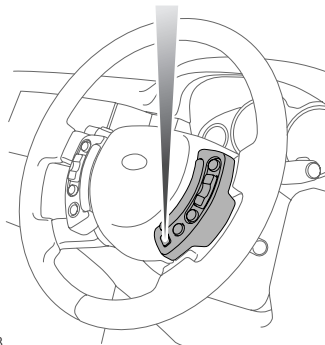
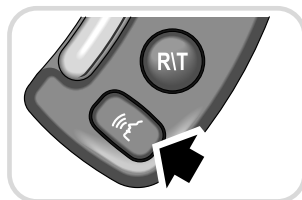
The security feature locks all the doors automatically when the vehicle speed exceeds 16 km/h (10 mph).



Speed related locking can be selected/deselected by a Land Rover dealer.

## MESSAGE RECORDING

If your vehicle is fitted with the voice recognition option you can record messages into the system memory for later playback.



H5838

Press and hold the voice button and wait for the **LISTENING** reply in the message centre. Give the “record note” or “notepad record” voice command and start recording.

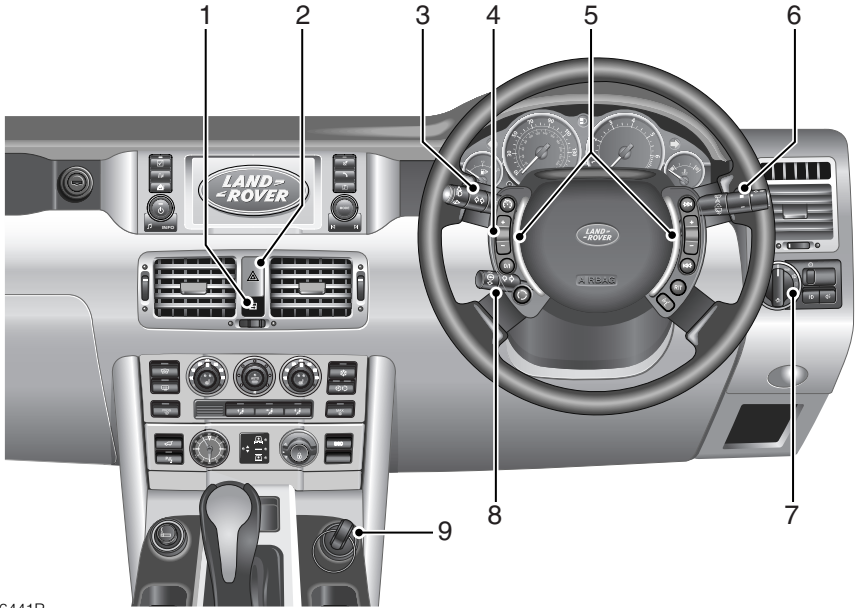
You can record 10 notes each up to 30 seconds in length.

To stop recording, press the voice button again.

For more detailed information on message recording, see **USING NOTEPAD, 107**.

# Quick Start

## FACIA CONTROLS



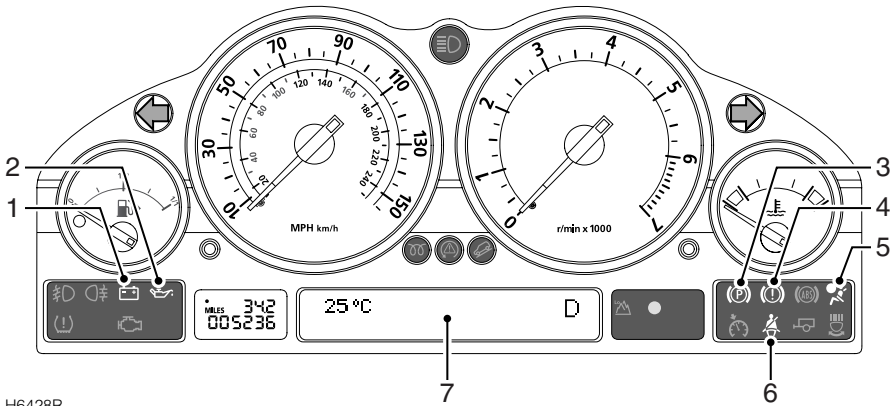
H6441R

1. Door locking switch
2. Hazard warning lamp switch
3. Headlamps and direction indicator controls
4. Cruise control switches
5. Horn switches
6. Windscreen wiper/washer control
7. Lamps master switch
8. Steering column adjuster
9. Starter switch

**Note:** The precise specification and location of the controls may vary according to territorial requirements and from vehicle to vehicle. For more detailed information on facia controls, see **FACIA CONTROLS, 68**.

# Quick Start

## WARNING INDICATORS



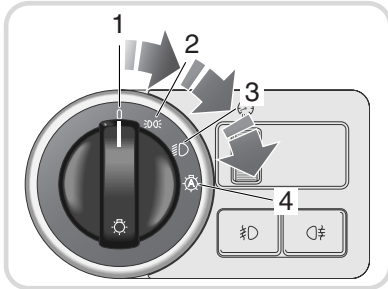
1. Battery charging (RED)
2. Low oil pressure (RED)
3. Parking brake system (RED)
4. Brake system (RED)
5. Airbag SRS (RED)
6. Seat belt (RED)
7. Main message centre

**Caution:** If one of these red warning indicators illuminates, a serious fault is indicated. Stop the vehicle and refer to **WARNING INDICATORS, 92**.

**Note:** This is a brief overview of the warning indicators, for a full description of warning indicators and their functions, see **WARNING INDICATORS, 92**.

# Quick Start

## LAMPS MASTER SWITCH OPERATION



H5742

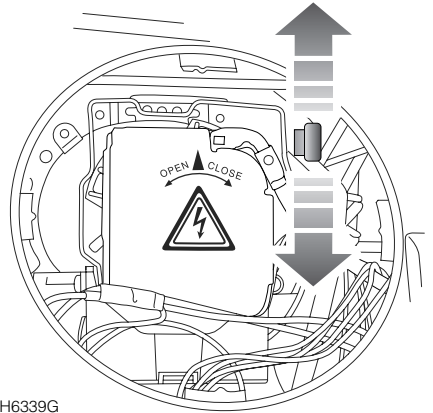
1. Off.
2. Side lamps.
3. Headlamps on.
4. Automatic control lamps.

**Note:** For further information concerning the operation of the lamps, see **EXTERIOR LAMPS, 97** or **DIRECTION INDICATORS, 100**.

## HEADLAMP TOURING ADJUSTMENT

When touring in a country where traffic drives on the opposite side of the road to where you normally drive, use the tourist lever mechanism within each headlamp unit to alter the beam pattern. This enables the vehicle to be driven without having to stick blanking decals onto the headlamp lens.

Position of the lever illustrated will vary depending on type of headlamps and side of vehicle. It may be on either side of the headlamp bulb aperture.



H6339G

*Bi-Xenon headlamp illustrated, Halogen similar.*

Remove the headlamp rear access cover. See **Bulb access, 248**. Move the lever to adjust the beam.

Repeat the process for the other headlamp unit.

**Note:** Remember to switch the headlamp beams back over when you return from your journey.

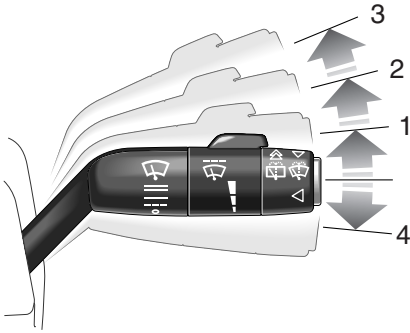
## Default lever positions

Xenon headlamps	
Right-hand headlamp	Up
Left-hand headlamp	Up

Halogen headlamps	
Right-hand headlamp	Down
Left-hand headlamp	Up

# Quick Start

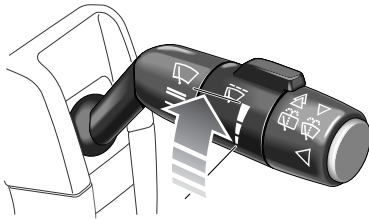
## WIPERS AND WASHERS



H5328

1. Intermittent wipe.
2. Normal speed wipe.
3. Fast speed wipe.
4. Single wipe.

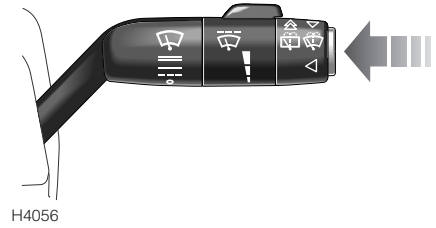
### Intermittent variable delay



H3895

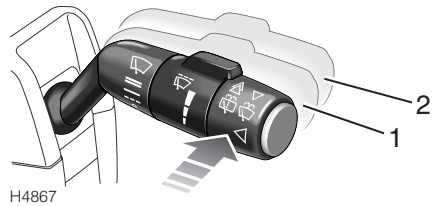
Rotate the switch to vary the delay between wiper cycles.

## Windscreen washer control



H4056

## Rear window wash/wipe

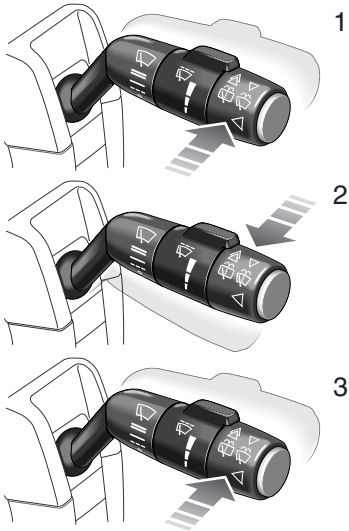


H4867

1. Rear wiper.
2. Rear wiper and washer.

# Quick Start

## Rear wiper delay



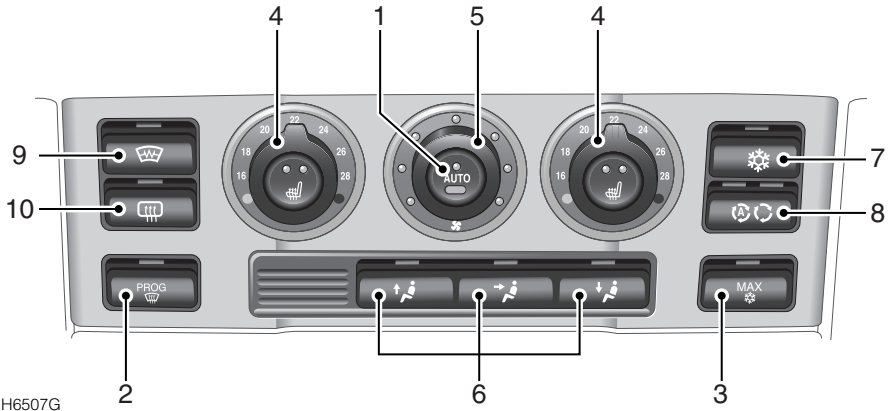
H5318

1. Push the lever forward.
2. Immediately pull the lever back and wait for the desired delay period.
3. Push the lever forwards. The delay period is now set.

**Note:** For further information concerning operation of the wipers and washers, see **WINDSCREEN WIPERS, 102**.

# Quick Start

## CLIMATE CONTROL SYSTEM



### 1. Auto mode

Press for fully automatic operation.

### 2. Defrost mode

Press to defrost or demist the windscreen.

### 3. Maximum air conditioning

Press to quickly cool the interior of the vehicle.

### 4. Temperature controls

### 5. Blower control

### 6. Air distribution control

### 7. Air conditioning control

### 8. Air recirculation control

### 9. Heated front screen

### 10. Heated rear screen

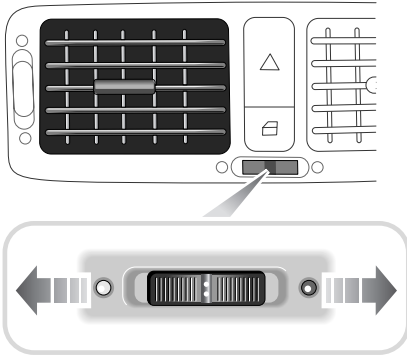
**Note:** For more information concerning the operation of the climate control system, see **CLIMATE CONTROL SYSTEM, 115**.

## ENGINE OFF HEATING

After driving, it is possible to warm the cabin by using the residual heat from the engine. With the engine turned off, press the MAX button (3), continued heating is available for up to 15 minutes.

# Quick Start

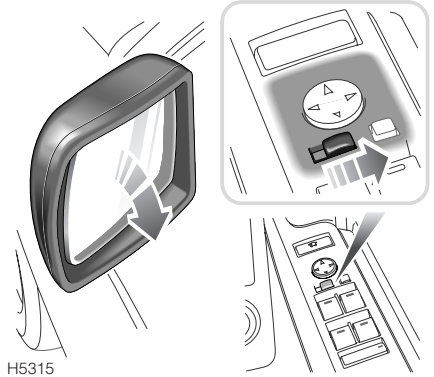
## FACE LEVEL TEMPERATURE CONTROL



H4811

For cool or warm air to the face whatever the temperature setting, rotate the centre thumbwheel towards the blue dot for cool air or towards the red dot for warm air, see **Centre foot/face level vents, 113**.

## DOOR MIRROR DIP



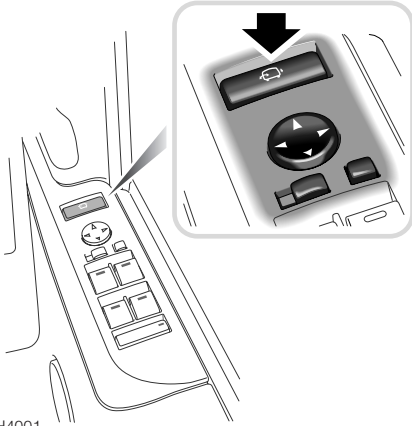
H5315

The passenger door mirror will dip when reversing if the mirror select switch is set to the driver's side. This provides the driver with a view of the kerbside (only available with memory seats).

For more information, see **Automatic mirror dipping, 67**.

# Quick Start

## ACCESS HEIGHT



For ease of entry and exit, access height can be requested prior to stopping the vehicle. Press the access height switch.

The vehicle height will start to reduce when the vehicle speed has fallen below a speed threshold.

For more information, see **Access height, 174**.

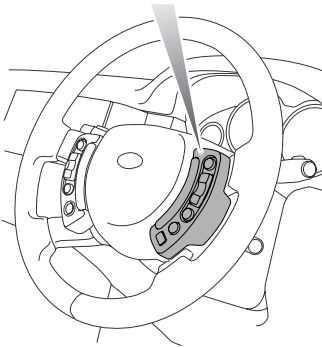
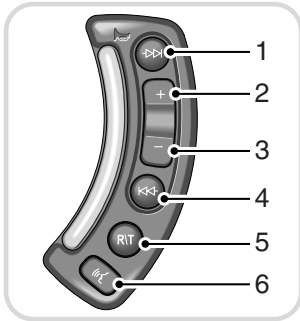
## RESONANCE WITH LOWERED WINDOWS

If a resonance/booming sound occurs with only the rear windows open, lowering an adjacent front window about 25 mm (1 in.), will eliminate the condition. This will change the frequency of the air volume moving in/out of the vehicle and therefore lessen or remove the booming sound.

# Quick Start

## AUDIO SYSTEM OPERATION

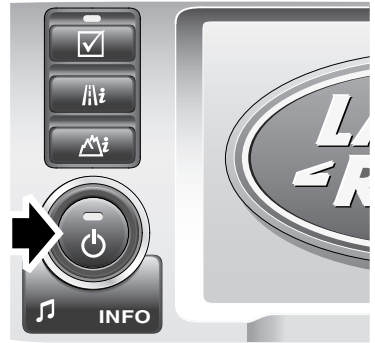
### Steering wheel controls



H4092

1. Channel/track - up
2. Volume up
3. Volume down
4. Channel/track - down
5. Audio/phone
6. Voice recognition

### Switching on the audio unit



ICE1969 ENG

To turn on the audio unit, press the audio on/off button (arrowed).

**Note:** The Audio On/Off indicator will flash for a short period then remain lit when the unit is turned on. It will also flash when the unit is switched off.

### Volume control

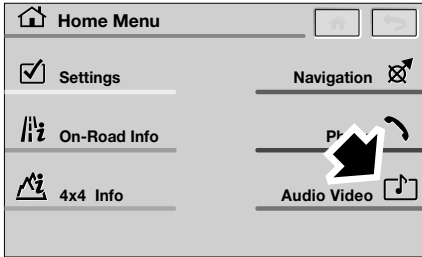


ICE1970 ENG

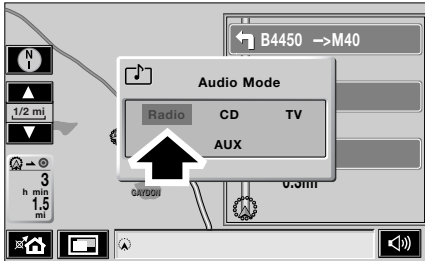
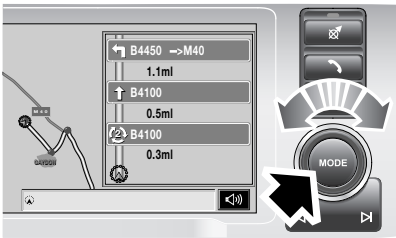
To increase or decrease the volume level, rotate the control.

# Quick Start

## RADIO OPERATION

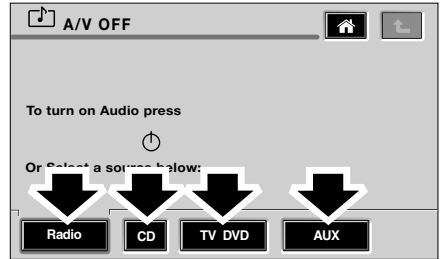


ICE1764 ENG



ICE 2075 ENG

To access radio mode, either touch the **Audio Video** icon on the home menu, or press the **MODE** button and turn the rotary control until **Radio** is highlighted.



ICE2074 ENG

Alternatively, if any other audio source is in use, press the **Radio** icon from those identified above.

### Auto store



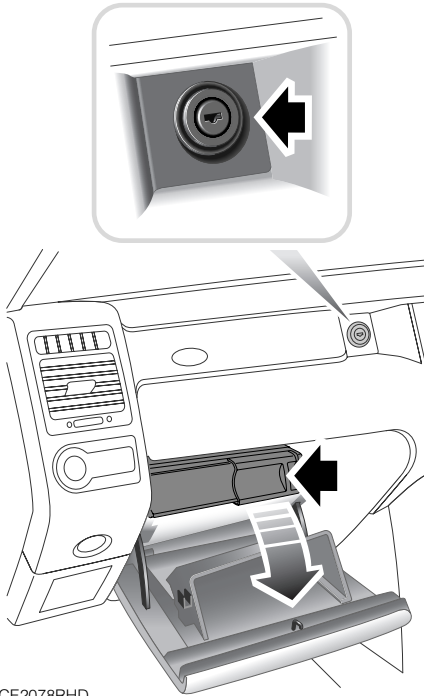
ICE2076 ENG

Touch and hold the **FM A** icon to start the auto store process.

To access a stored station, briefly press the appropriate pre-set number.

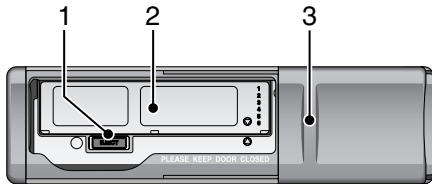
# Quick Start

## CD OPERATION



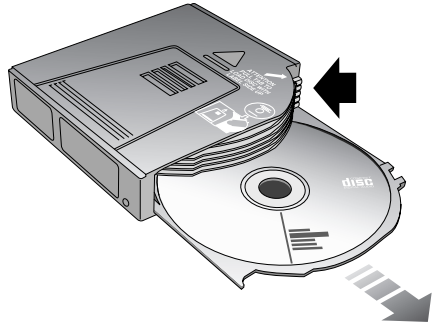
ICE2078RHD

### Inserting a CD



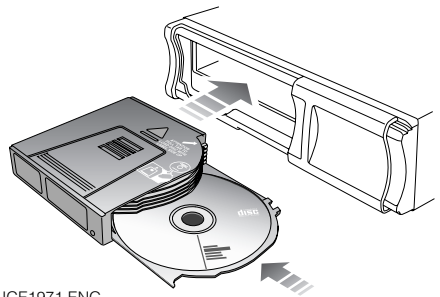
ICE1972 ENG

The unit is located in the glovebox. Fully open the sliding cover (3) to remove the magazine (2). Press button (1) to eject the magazine.



ICE1966 ENG

Hold magazine with arrow uppermost, pull out each tray in turn by its tab and place a disc (label side uppermost) onto each tray. Correctly align the tray with the parallel slots on each side of the magazine and slide the tray fully into the magazine.



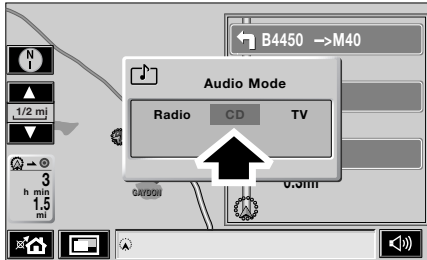
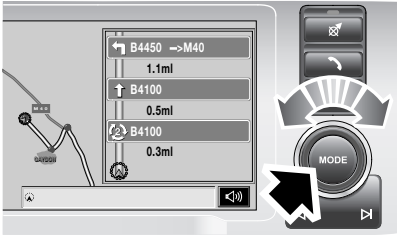
ICE1971 ENG

Insert the magazine in the direction of the arrow marked on the magazine casing and push it fully into the CD changer. Close the sliding cover

There will be a short pause whilst the player reads the information from the disc, which will then be displayed on the screen. Play will commence at the first track on the newly inserted disc.

# Quick Start

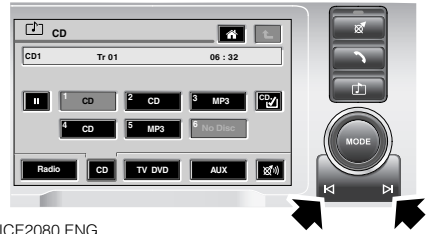
## Playing a CD



ICE 2079 ENG

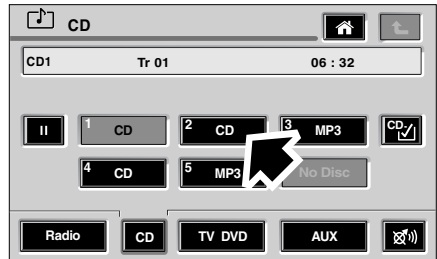
To select CD as the audio source, press the **MODE** button, which will display the Audio Mode pop-up. CD can be selected as the audio source by rotating the audio control until **CD** is highlighted.

Once the magazine has loaded and the discs have been read, play will commence with disc one, track one.



ICE2080 ENG

**Track selection:** With a CD playing, briefly press the right hand button to select the next track or the left hand button to return to the start of the previous track. Press either button repeatedly to reach the desired track.



ICE2081 ENG



ICE2082 ENG

**Disc selection:** With CD selected, touch the appropriate icon to select the desired disc from the changer. To move between folders on an MP3 disc, touch either the right or left icons.

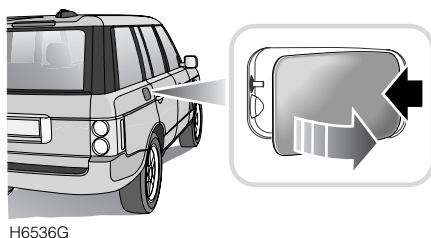
# Filling Station Information

## FUEL FILLER

The fuel filler is located in the rear right-hand wing. With vehicle fully unlocked, press the right side of the flap to open it.

Turn the cap anticlockwise and allow any pressure inside the tank to escape before removing cap.

When replacing the cap, tighten it clockwise until you hear the fuel cap ratchet click once.



H6536G

Fuel type	
Petrol vehicles	Premium unleaded 95 RON.
Diesel vehicles	To EN590 specification. NOT compatible with Bio-diesel fuels.

**Note:** For more detailed information, see **FUEL FILLING, 152**.

## TYRE PRESSURE

Tyre pressures are listed on a placard on the B pillar on the driver's side (visible with the driver's door open). See **Tyre information label, 213**.

Air pressure naturally increases in warm tyres (after the vehicle has been driven for a while). If you have to check warm tyres, you should expect the pressures to have increased between 30 - 40 kPa, (0.3 - 0.4 bar/4 - 6 lbf/in<sup>2</sup>). In this circumstance, NEVER let air out of the tyres in order to match the recommended pressures.

**Note:** For more detailed information on tyre pressures, see **Tyre pressures, 215**.

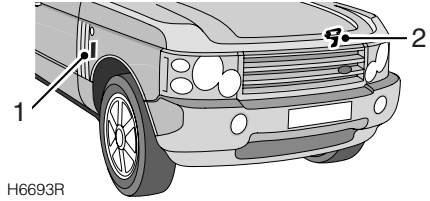
Temporary spare tyre pressure	kPa	bar	lbf/in <sup>2</sup>
Any position or load condition	420	4.2	60

# Filling Station Information

## OPENING THE BONNET

1. Pull bonnet release handle located by the right hand front door at foot height.
2. Lift bonnet safety catch lever and raise bonnet.

**Note:** For more detailed information, see **BONNET OPENING, 196**.



H6693R

Engine oil top-up	
Petrol vehicles	Use a 5W/30 oil to specification ACEA:A1 or A3 (with API SJ, SL or SM). Land Rover WSS-M2C913-B preferred.
Diesel vehicles	Use a 5W/30 oil to specification ACEA:A3 and B3.
Cooling system top-up	
All vehicles to -40°C (-40°F)	50% mix of fresh water and an approved antifreeze.

**Note:** For more detailed information, see **LUBRICANTS AND FLUIDS, 264**.

## LAND ROVER RECOMMENDS

